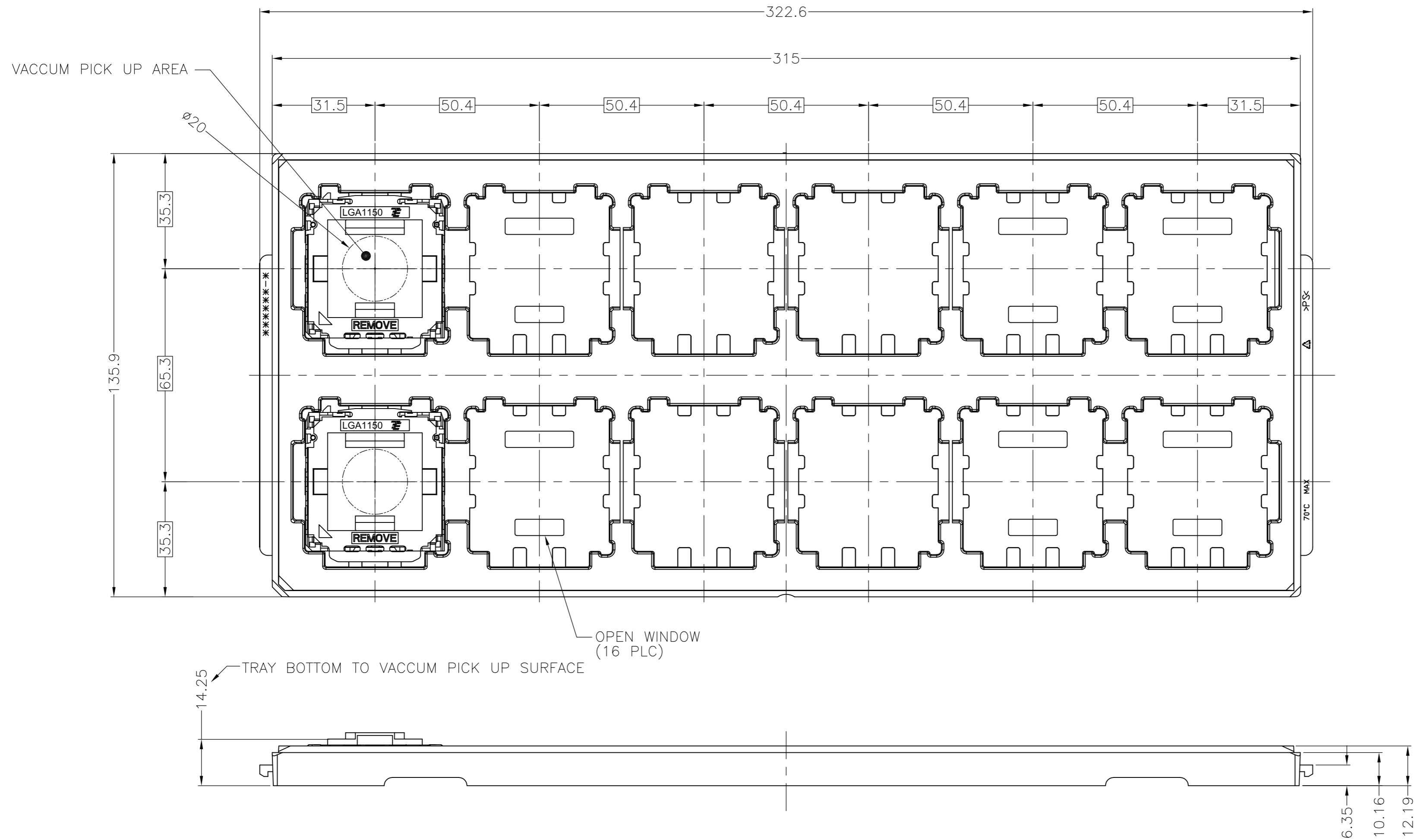


THIS DRAWING IS UNPUBLISHED. RELEASED FOR PUBLICATION MAR , 2011.
 © COPYRIGHT 2011 By Tyco Electronics Japan G.K. ALL RIGHTS RESERVED.

LOC	DIST	REVISONS		
J	-	P	LTR	DESCRIPTION
		C	REVISED	DATE DWN APVD
				08DEC2014 J.W C.W



- NOTES:
- MATERIAL
 - HOUSING : HIGH TEMP, THERMO-PLASTIC, UL94V-0, BLACK
 - CONTACT : COPPER ALLOY
FINISH : Au PL. AT CONTACT AREA ON OVERALL OVER Ni UNDER PL. 0.00127 MIN.
 - SOLDER BALL : Sn/Ag/Cu
 - CAP : HIGH TEMP. THERMO-PLASTIC, UL94V-0, BLACK
 - INDICATED DATE CODE ON THE HSG

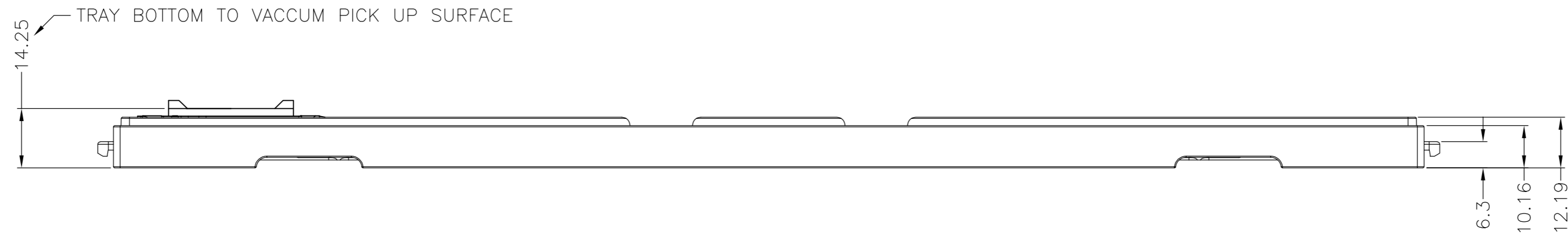
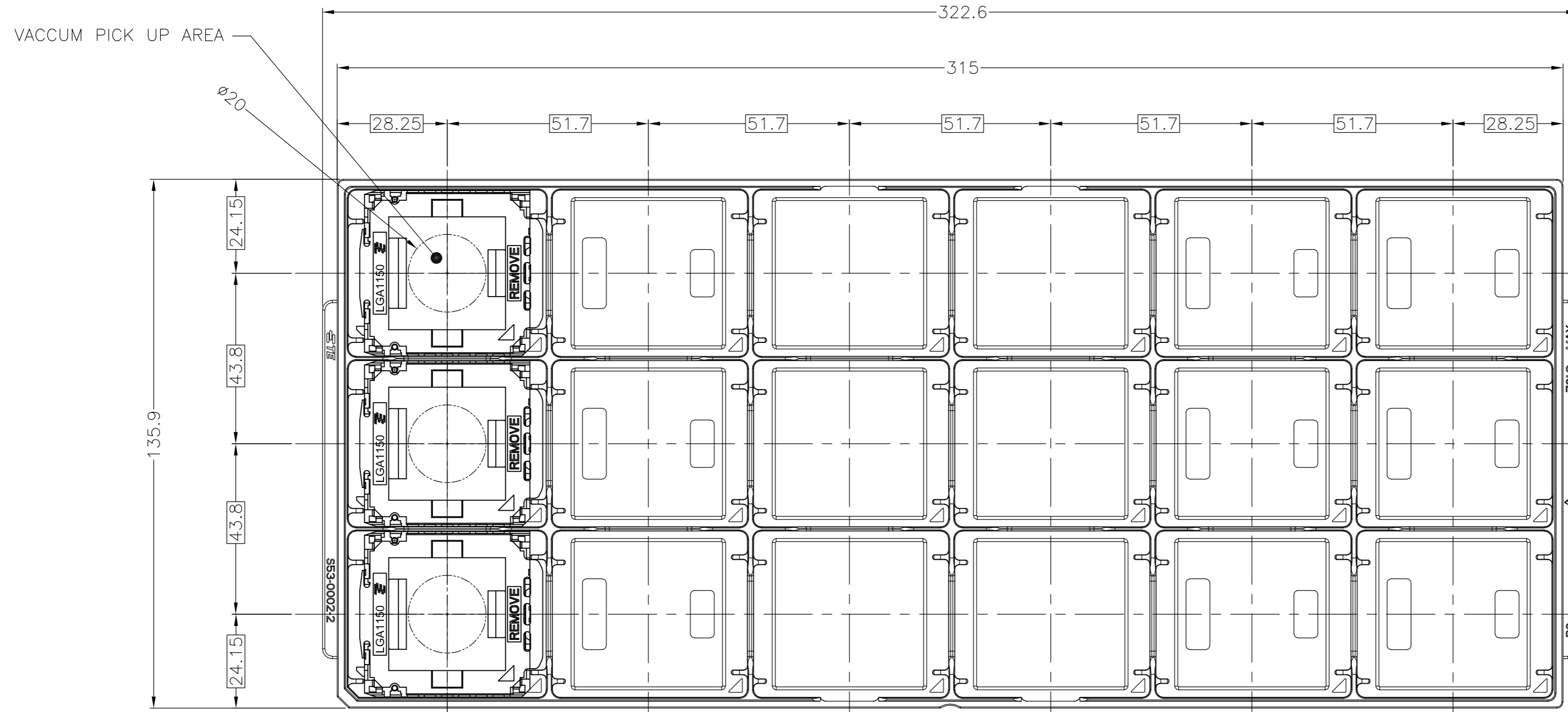
2134928-1,-2,-3: AS SHOWN

2134928-3	0.76 um MIN Au PL
2134928-2	0.10 um MIN Au PL
2134928-1	0.38 um MIN Au PL
PART NUMBER	DESCRIPTION

THIS DRAWING IS A CONTROLLED DOCUMENT.		DWN	RICK.ZHAO	04JUL2013		TE Connectivity								
DIMENSIONS: 单位: 毫米 mm		CHK	H.TAGUCHI	04JUL2013		NAME 名称 SOCKET ASSY LGA1150								
TOLERANCES UNLESS OTHERWISE SPECIFIED: 一般公差		APVD	T.NAKASHIMA	07JUL2013										
0-PLC ± ±0.5 1-PLC ± ±0.5 2-PLC ± ±3° 3-PLC ± ± 4-PLC ± ± ANGLES ± ±		PRODUCT SPEC	108-78586		SIZE	A2	CAGE CODE	00779	DRAWING NO 番号	C=2134928	RESTRICTED TO	-		
MATERIAL 材料		APPLICATION SPEC 取付適用規格	114-5444		WEIGHT	9.8g		SCALE 尺度	1:1		SHEET	1 of 6	REV	C
CUSTOMER DRAWING														

THIS DRAWING IS UNPUBLISHED. RELEASED FOR PUBLICATION MAR , 2011.
 © COPYRIGHT 2011 By Tyco Electronics Japan G.K. ALL RIGHTS RESERVED.

LOC	DIST	REVISONS					
J	-	P	LTR	DESCRIPTION	DATE	DWN	APVD
		-	-	SEE SHEET 1	-	-	-



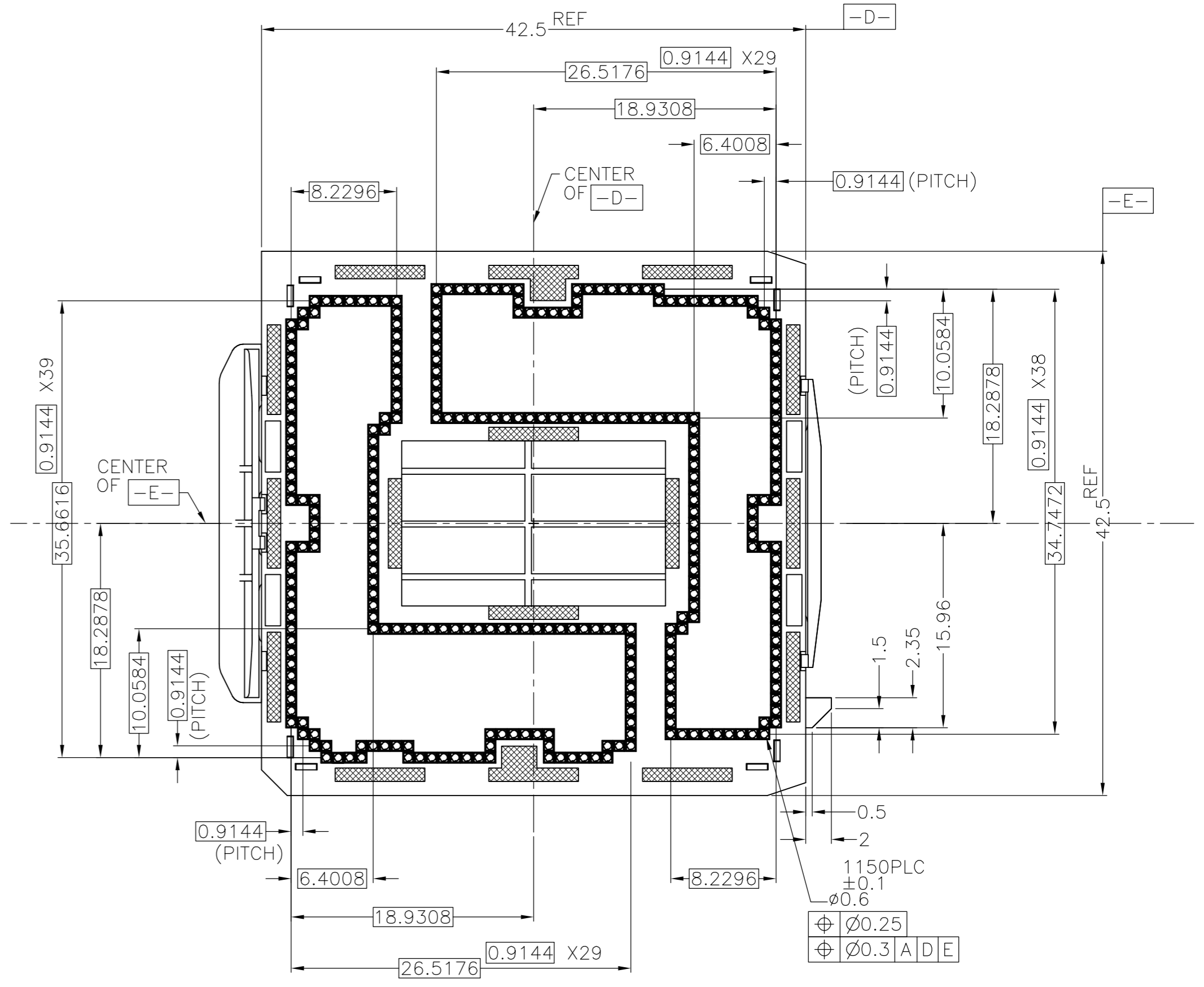
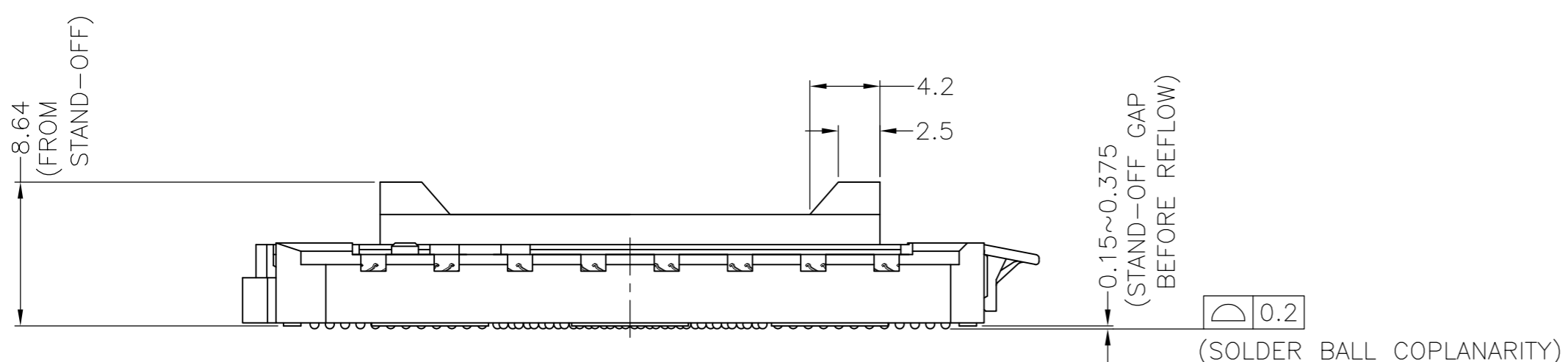
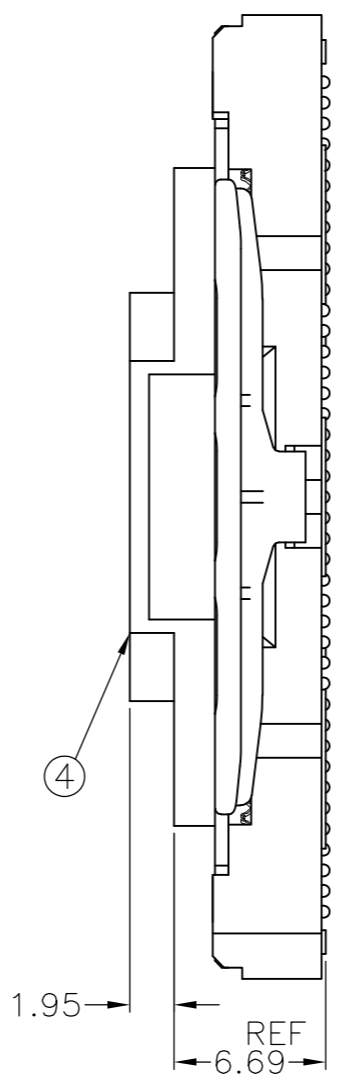
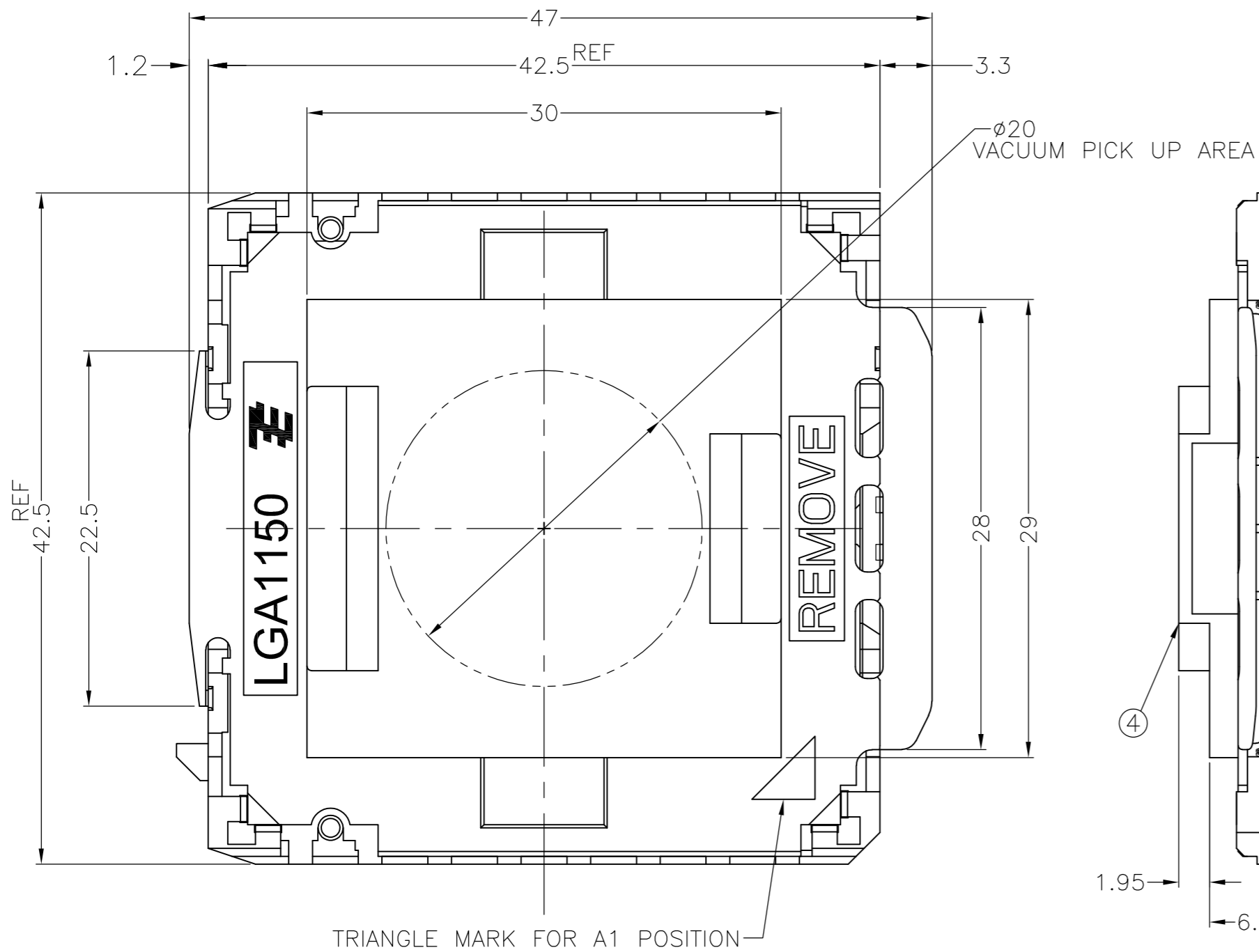
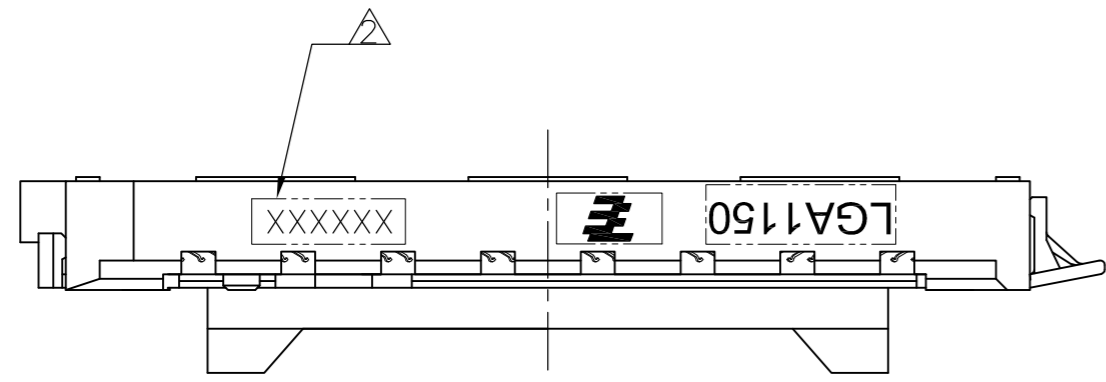
1-2134928-3	0.76 um MIN Au PL
1-2134928-2	0.10 um MIN Au PL
1-2134928-1	0.38 um MIN Au PL
PART NUMBER	DESCRIPTION

1-2134928-1,-2,-3: AS SHOWN

THIS DRAWING IS A CONTROLLED DOCUMENT.		DWN	TE Connectivity	
DIMENSIONS: 单位: 毫米 mm		CHK	NAME 名称	
TOLERANCES UNLESS OTHERWISE SPECIFIED: 一般公差		APVD	SOCKET ASSY LGA1150	
0 PLG ± ±0.5		PRODUCT SPEC 製品規格	SIZE	CAGE CODE
1 PLG ± ±0.5		APPLICATION SPEC 取付適用規格	A2	00779
2 PLG ± ±3°		WEIGHT	DRAWING NO 番号	RESTRICTED TO
3 PLG ± ±		CUSTOMER DRAWING	C=2134928	-
4 PLG ± ±		SCALE 尺度	1:1	SHEET 2 of 6
FINISH 仕上		REV	C	

THIS DRAWING IS UNPUBLISHED. RELEASED FOR PUBLICATION
 © COPYRIGHT - By Tyco Electronics Japan G.K. ALL RIGHTS RESERVED.

LOC		DIST		REVISIONS			
P	LTR	DESCRIPTION		DATE	DWN	APVD	
-	-	SEE SHEET 1		-	-	-	

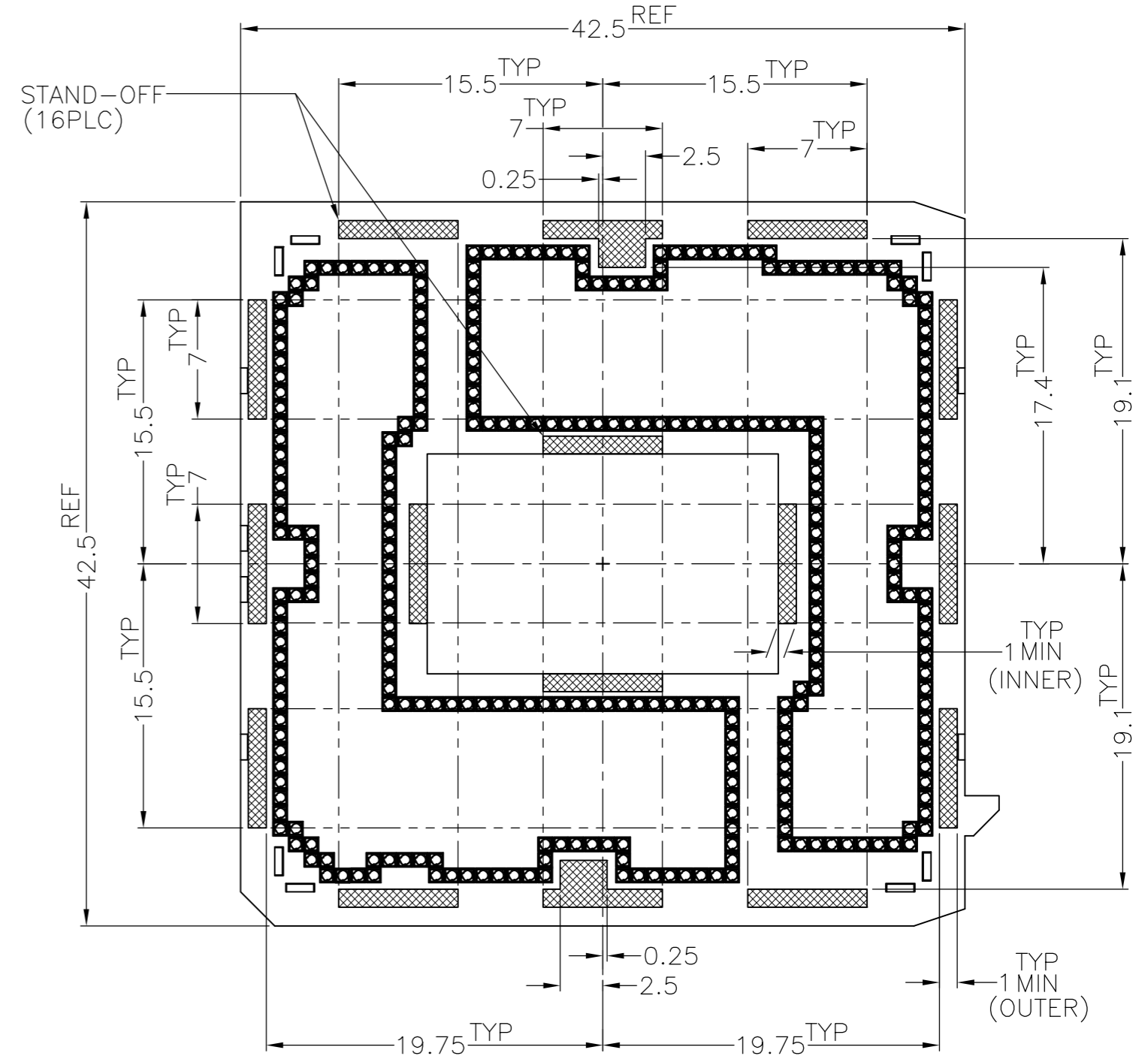
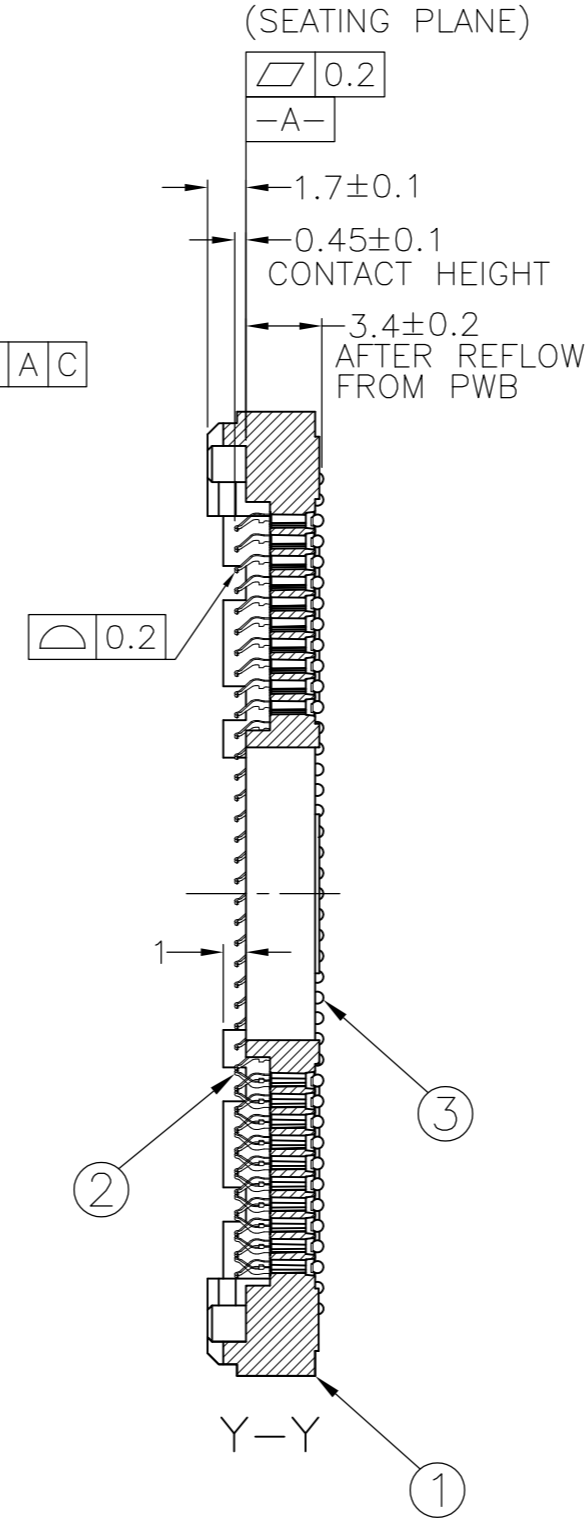
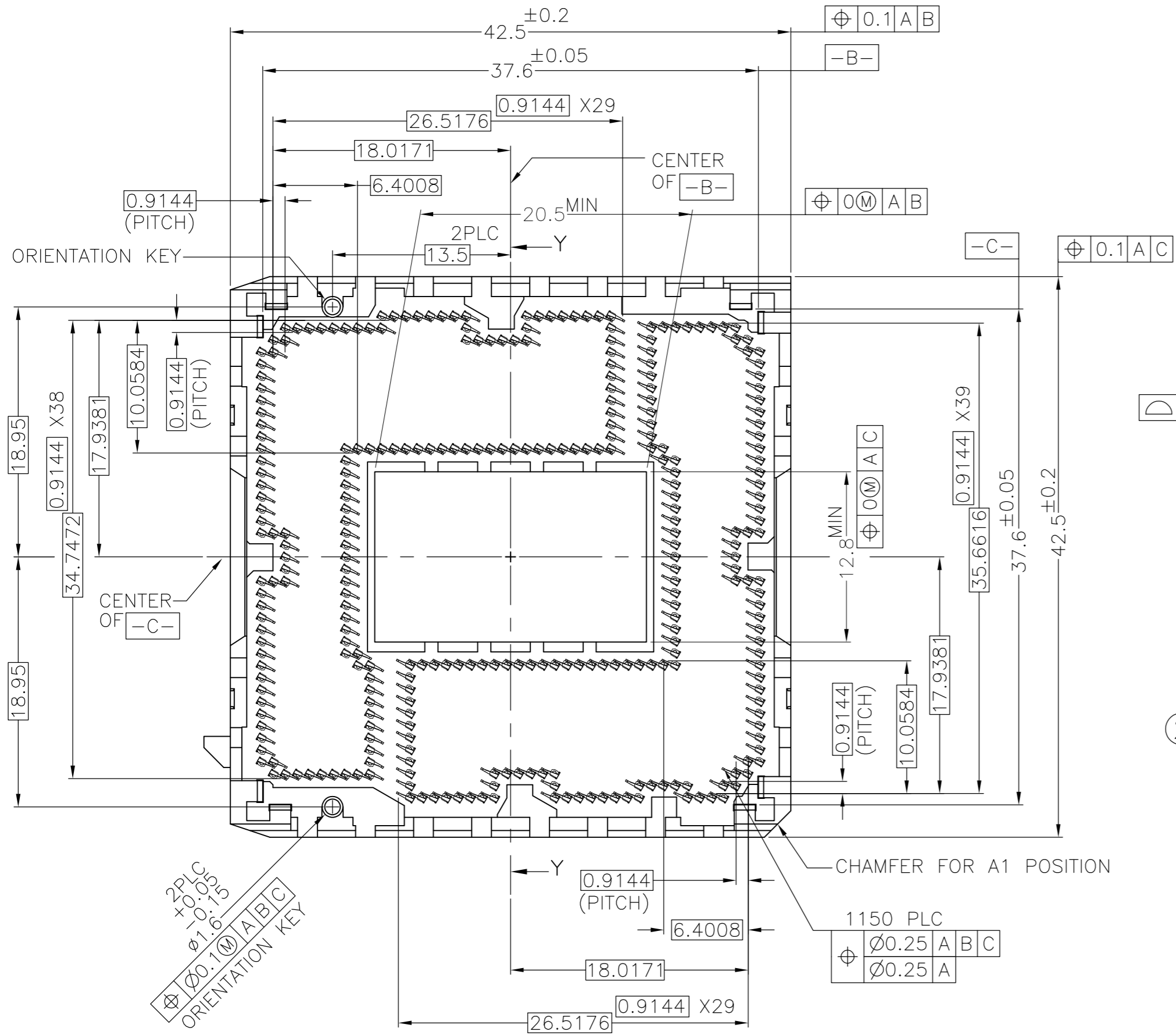


2134928-*, 1-2134928-*: AS SHOWN

THIS DRAWING IS A CONTROLLED DOCUMENT.		DWN	TE Connectivity	
DIMENSIONS: 单位: 毫米 mm		CHK	NAME 名称	
TOLERANCES UNLESS OTHERWISE SPECIFIED: 一般公差		APVD	SOCKET ASSY LGA1150	
φ PLG ± ±0.3		PRODUCT SPEC 製品規格	SIZE A2	CAGE CODE 00779
± PLG ± ±3°		APPLICATION SPEC 取付適用規格	DRAWING NO 番号 C=2134928	RESTRICTED TO -
MATERIAL 材料		WEIGHT -	SCALE 尺度 NTS	SHEET 3 OF 6
FINISH 仕上		CUSTOMER DRAWING	REV C	

THIS DRAWING IS UNPUBLISHED. RELEASED FOR PUBLICATION
 © COPYRIGHT - By Tyco Electronics Japan G.K. ALL RIGHTS RESERVED.

LOC	DIST	REVISONS			DATE	DWN	APVD
		P	LTR	DESCRIPTION			
		-	-	SEE SHEET 1			

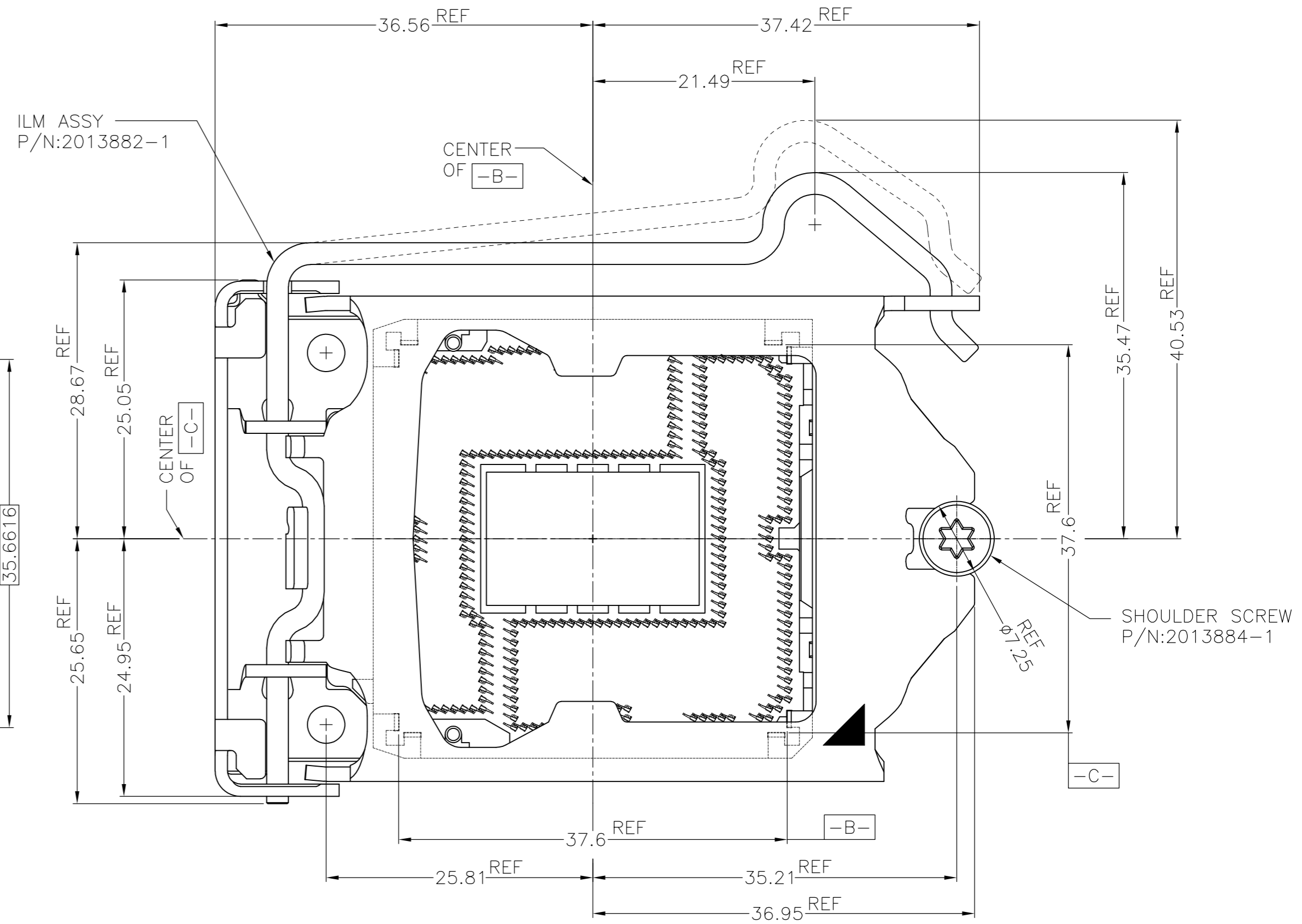
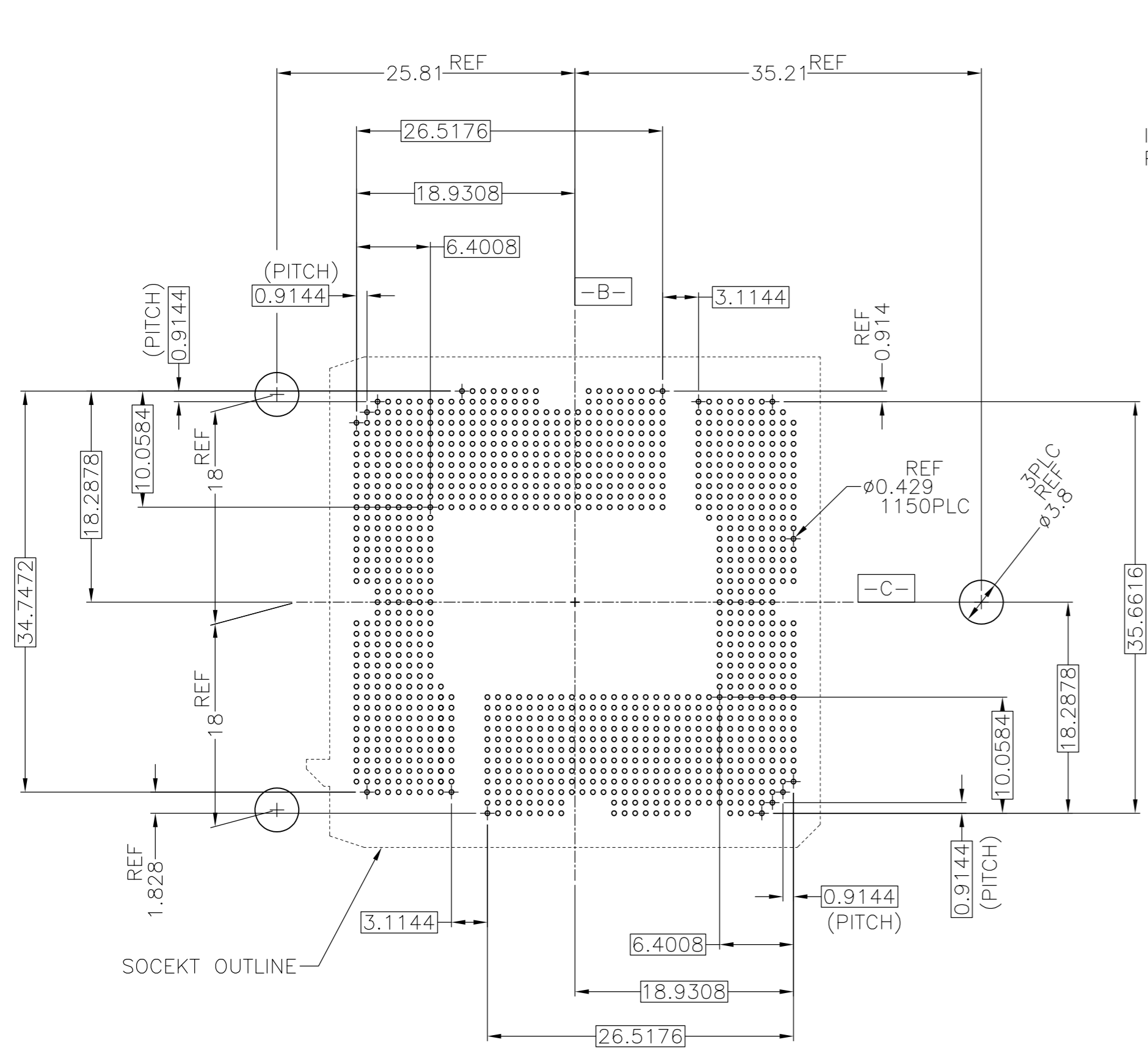


2134928-*, 1-2134928-*: AS SHOWN

THIS DRAWING IS A CONTROLLED DOCUMENT.		DWN	TE Connectivity		
DIMENSIONS: 单位: 毫米 mm		CHK	NAME 名称		
TOLERANCES UNLESS OTHERWISE SPECIFIED: 一般公差		APVD	SOCKET ASSY		
0 PLC ± ±0.3 1 PLC ± ±0.3 2 PLC ± ±0.3 3 PLC ± ±0.3 4 PLC ± ±0.3 ANGLES ± ±		PRODUCT SPEC	LGA1150		
MATERIAL 材料		APPLICATION SPEC	SIZE	CAGE CODE	DRAWING NO
FINISH 仕上		取付適用規格	A2	00779	C=2134928
		WEIGHT	RESTRICTED TO		
		CUSTOMER DRAWING	SCALE	SHEET	REV
			NTS	4 OF 6	C

THIS DRAWING IS UNPUBLISHED. RELEASED FOR PUBLICATION
 © COPYRIGHT - By Tyco Electronics Japan G.K. ALL RIGHTS RESERVED.

LOC	DIST	REVISEMENTS			
P	LTR	DESCRIPTION	DATE	DWN	APVD
-	-	SEE SHEET 1	-	-	-



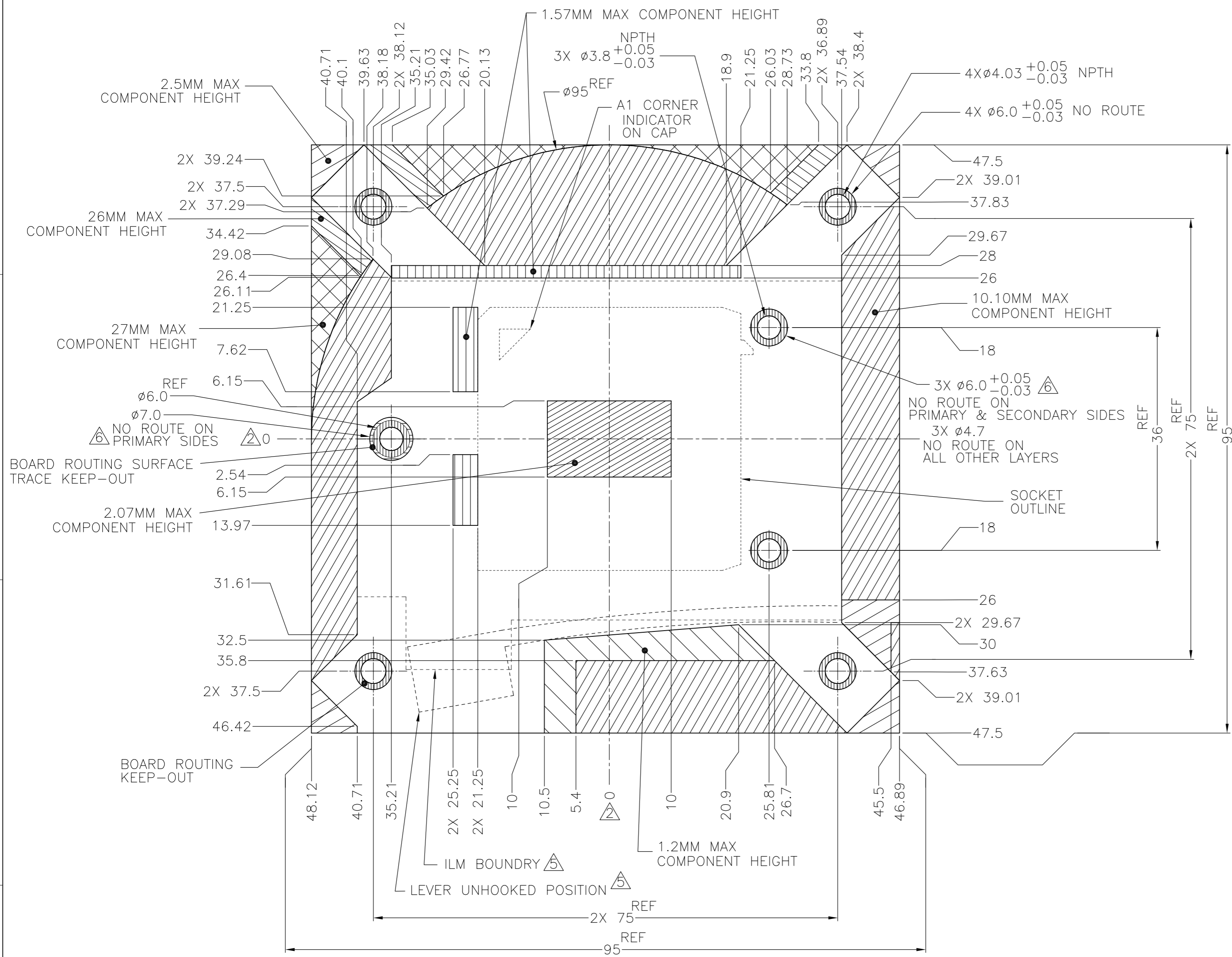
ILM ASSEMBLY OCCUPATION AREA (REFERENCE)
 CAP IS NOT SHOWN ON THIS VIEW

FOR GENERAL BOARD DESIGN, PLEASE REFER TO THE THERMAL AND MECHANICAL DESIGN GUIDELINES(TMDG) PROVIDED BY INTEL CORPORATION

THIS DRAWING IS A CONTROLLED DOCUMENT.		DWN	TE Connectivity		
DIMENSIONS: 单位: 毫米 mm		CHK	NAME 名称		
TOLERANCES UNLESS OTHERWISE SPECIFIED: 一般公差		APVD	SOCKET ASSY LGA1150		
0 PLG ± 0.3		PRODUCT SPEC	SIZE	CAGE CODE	DRAWING NO
1 PLG ± 0.3		APPLICATION SPEC	A2	00779	C=2134928
2 PLG ± 0.3		取付適用規格	SCALE	SHEET	REV
3 PLG ± 0.3		WEIGHT	NTS	5 of 6	C
4 PLG ± 0.3		CUSTOMER DRAWING			
FINISH 仕上					

THIS DRAWING IS UNPUBLISHED. RELEASED FOR PUBLICATION
 © COPYRIGHT - By Tyco Electronics Japan G.K. ALL RIGHTS RESERVED.

LOC	DIST	REVISIONS				
		P	LTR	DATE	DWN	APVD
-	-	-	-	-	-	-
SEE SHEET 1				-	-	-



- NOTES (APPLIED TO SHEET 5 OF 5):
1. DIMENSIONS ARE IN MILLIMETERS
 2. \triangle GEOMETRIC CENTER OF SOCKET HOUSING CAVITY
 3. BOARD COMPONENT KEEP-INS AND MECHANICAL COMPONENT KEEP-OUTS TO BE UTILIZED WITH SUFFICIENT ALLOWANCES FOR PLACEMENT AND SIZE TOLERANCES, ASSEMBLY PROCESS ACCESS, AND DYNAMIC EXCURSIONS.
 4. ASSUME SYMMETRY FOR UNDIMENSIONED CORNERS AND EDGES.
 5. \triangle FOR UNDEFINED DIMENSIONS, REFER TO THERMAL AND MECHANICAL DESIGN GUIDELINE PROVIDED BY INTEL CORPORATION.
 6. \triangle COPPER PAD ON PRIMARY SIDE, NON-GROUNDED. COPPER PAD CAN INSET A MAXIMUM OF 0.127MM FROM THE NO ROUTE EDGE
 7. \triangle COMBINED COMPONENT AND SOLDER PASTE HEIGHT INCLUDING TOLERANCES AFTER REFLOW.

COMPONENT KEEP-INS AND MECHANICAL COMPONENT KEEP-OUTS

FOR REFERENCE ONLY, PLEASE REFER TO THE THERMAL AND MECHANICAL DESIGN GUIDELINES(TMDG) PROVIDED BY INTEL CORPORATION

LEGEND	
	SOCKET/THERMAL/MECHANICAL COMPONENT KEEP-INS
	10.10MM MAX COMPONENT HEIGHT \triangle
	1.57MM MAX COMPONENT HEIGHT \triangle
	1.2MM MAX COMPONENT HEIGHT \triangle
	BOARD ROUTING KEEP-OUT
	27MM MAX COMPONENT HEIGHT \triangle
	BOARD ROUTING SURFACE TRACE KEEP-OUT \triangle
	2.07MM MAX COMPONENT HEIGHT \triangle
	2.5MM MAX COMPONENT HEIGHT \triangle
	26MM MAX COMPONENT HEIGHT \triangle

THIS DRAWING IS A CONTROLLED DOCUMENT.		DWN	TE Connectivity	
DIMENSIONS: 单位: 毫米 mm		CHK	NAME 名称	
TOLERANCES UNLESS OTHERWISE SPECIFIED: 一般公差		APVD	SOCKET ASSY LGA1150	
0-PLC ±		PRODUCT SPEC 製品規格	SIZE A2	CAGE CODE 00779
1-PLC ±		APPLICATION SPEC 取付適用規格	DRAWING NO 番号 C=2134928	RESTRICTED TO
2-PLC ±		WEIGHT -	SCALE 尺度 NTS	SHEET 6 OF 6
3-PLC ±		CUSTOMER DRAWING	REV C	
4-PLC ±				
ANGLES 仕上				